

MRC 40

AFFORDABLE, VERSATILE, ROUTER, MILLER & ENGRAVER

NEW



MRC 40

- The MRC 40 is Denford's new, high-spec/low-cost solution for all your routing, milling and engraving needs.
- Set up and tool changes are a simple process; and the powerful 500W spindle motor offers high-speed manufacture.
- Suitable for small engraving jobs, and the large working envelope makes it ideal for the manufacture of large 2D designs and 3D models.
- Available with a host of optional extras for specialist applications. This includes a "Resources Pack", incorporating 2D, 3D and engraving tooling and drill bits, foam & acrylic billets, allowing you to be up and running immediately: £150 (+VAT).

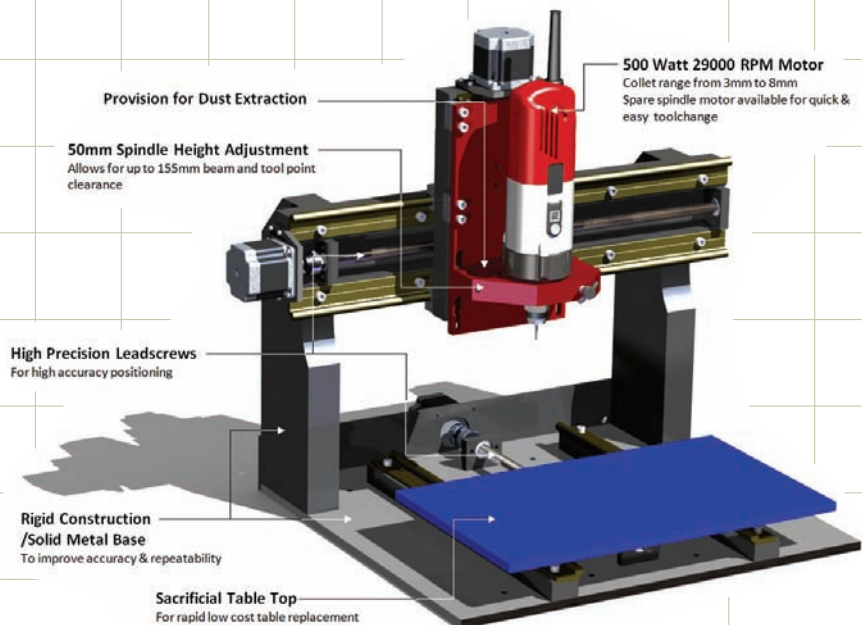
- Ideal for the F1 in Schools Challenge, when purchasing the optional F1 in Schools Car Manufacturing Fixture, together with the Aluminium T-Slot Table.

THE MRC 40 COMES AS STANDARD WITH:

- VR CNC Milling V5 Operating Software (PC not included)
- Powerful 500W High Speed Spindle
- Sacrificial Table: 400 x 240mm
- Outlet for Dust Extraction System
- 8mm and 1/4" Collets
- USB Connection

SEAMLESS IMPORT OF TECHSOFT 2D DESIGN FILES:

ALL Denford machines operating with VR CNC Milling V5 are able to import designs drawn in Techsoft Versions 1 & 2, saved in DXF format, **without any additional software or post processor being required.**



DENFORD

CAD/CAM Software : VR CNC Software : CNC Routers : Mills : Lathes : PCB/Engraving Machines : Benches & Accessories
Laser Cutters/Engravers : Rapid Prototyping : Concept Modelling : 3D Scanning Solutions : Cutter / Plotters

Denford are the proud sponsors of:



DENFORD

CALL NOW T: +44(0)1484 728000

F: +44(0)1484 728100 Email: info@denford.co.uk
Denford Limited, Birds Royd, Brighouse, West Yorkshire HD6 1NB, England